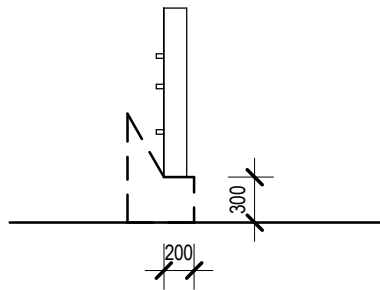
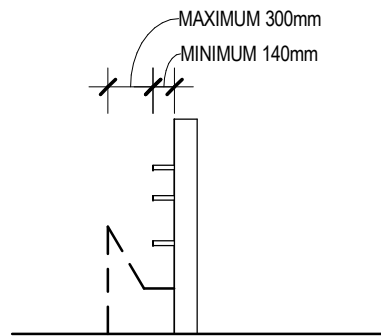


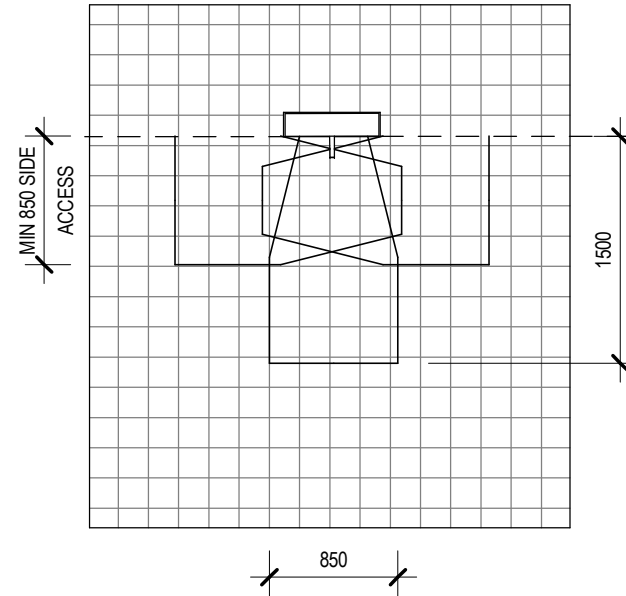
TAP HEIGHTS



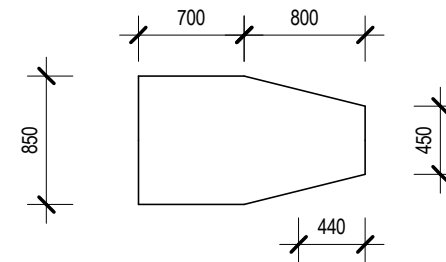
SECTION



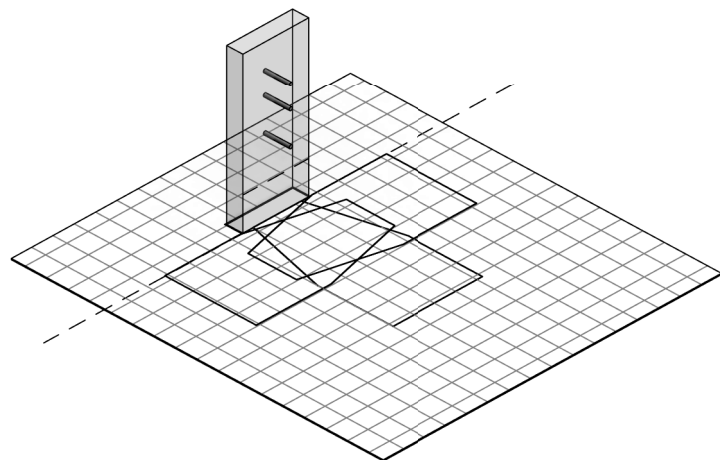
SECTION



WATER FILLING POINT



WHEELCHAIR FOOTPRINT..



WATER FILLING POINT

SENSOR CONTROL, PUSH BUTTON OR TAP & OUTLET SHOULD HAVE A MINIMUM PROJECTION OF 140mm FOR FRONT APPROACH IF NO RECESS IS AT BASE. IF RECESS OF A MINIMUM 300mm HIGH & 200mm DEEP IS PROVIDED, NO TAP & PROJECTION IS REQUIRED EXCEPT SUFFICIENT SPACE IS REQUIRED TO GRASP THE TAP & PLACE OBJECT UNDER OUTLET. SENSOR ACTIVATION POINT TO BE SIMILIAR TO TAP POSITION

ACCESSIBLE DRINKING FOUNTAIN & TAPS SHEET 3

06 / 02 / 2017